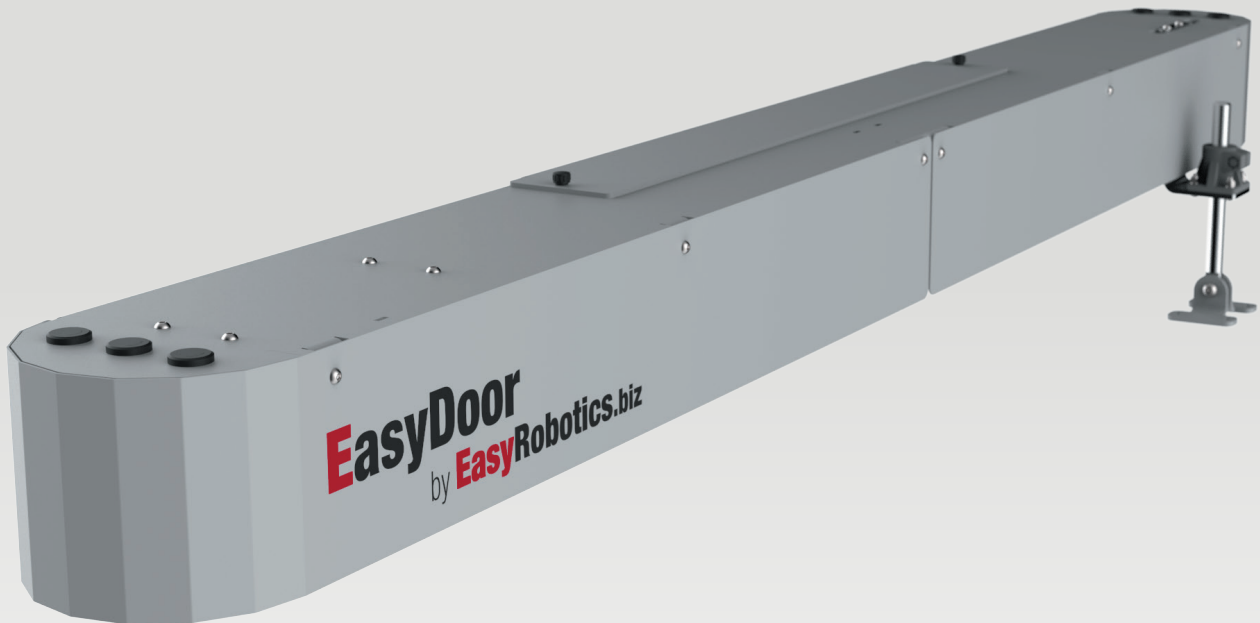


EasyDoor



EasyDoor from EasyRobotics is built upon proven components from Siemens.

It is a flexible automatic door opener for a variety of applications in the CNC machining industry.

The EasyDoor system can be applied to single door opening. The solution is applicable to doors weighing up to 180 KG.

Setup is easily performed during installation giving ramp up and down settings to the motor automatically.

The EasyDoor system meets performance level “d” of the safety standard for machine doors EN ISO13849 Part 1.

The solution features integration to a high-level controller through simple connection. It supports Profinet, Profibus and digital input/output.

The installation of the system is made easy by automatic calibration to the application under supervision of an operator. It takes only a few seconds to do autodetection of the travel distance and door end positions very precisely.

With the very easy and fast programming feature, EasyDoor is extremely flexible for different door applications. Commissioning of EasyDoor delivered by EasyRobotics is minimal.

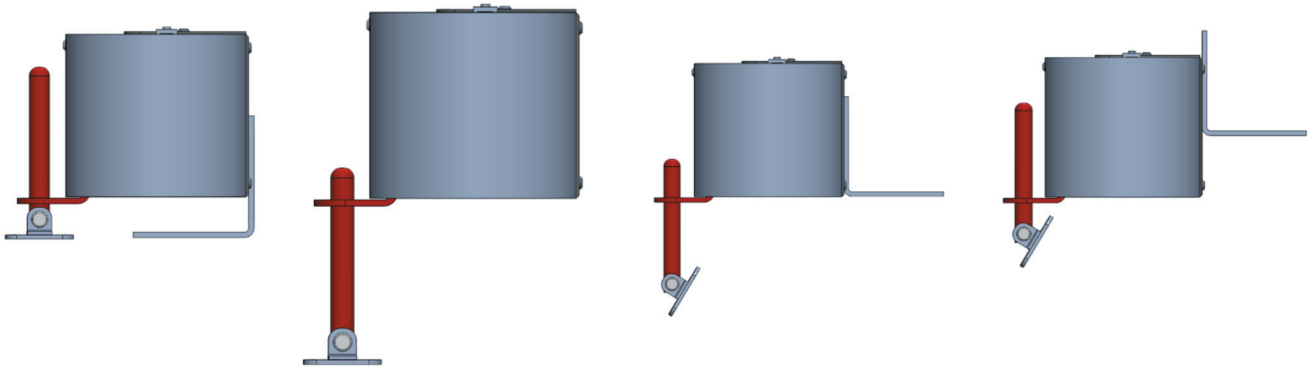
EasyDoor is a very robust, industrial and high performing product created through the integration of a mature and standardized product from Siemens.

Features

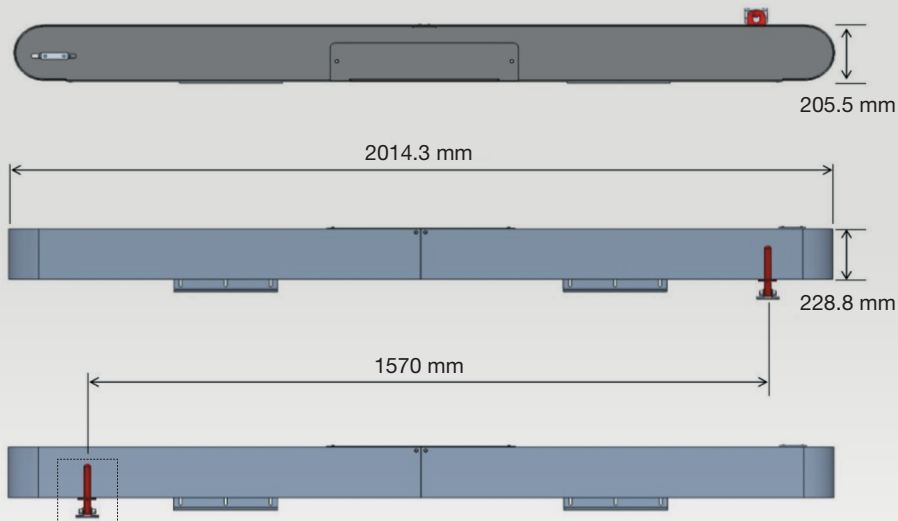
- 1) Works with single sliding doors.
- 2) Safety. If an obstacle is detected, EasyDoor reverses – just like an elevator door.
- 3) Cost effective.
- 4) Easy installation.

EasyRobotics®
- we move your parts

Versatile clamping system for different door types:



Measures:



Height connector for door 252 mm,
adjustment 140 mm.



Oficinas
Ronda Ponent, 116
08201 Sabadell - Barcelona
Smart Factory Lab
C/Girona, 159
08201 Sabadell - Barcelona

937 478 903
vicosystems@vicosystems.com
vicosystems.com

Danish manufacturer and supplier of robotic cells for all types of automation.

EasyRobotics®
- we move your parts

EasyRobotics ApS
Mommærkvej 5
DK-6400 Sønderborg
Phone: +45 31 25 06 02
info@easyrobotics.dk
www.easyrobotics.biz