



# DATASHEET

SCREWDRIVER

V1.0

# 1 Datasheet

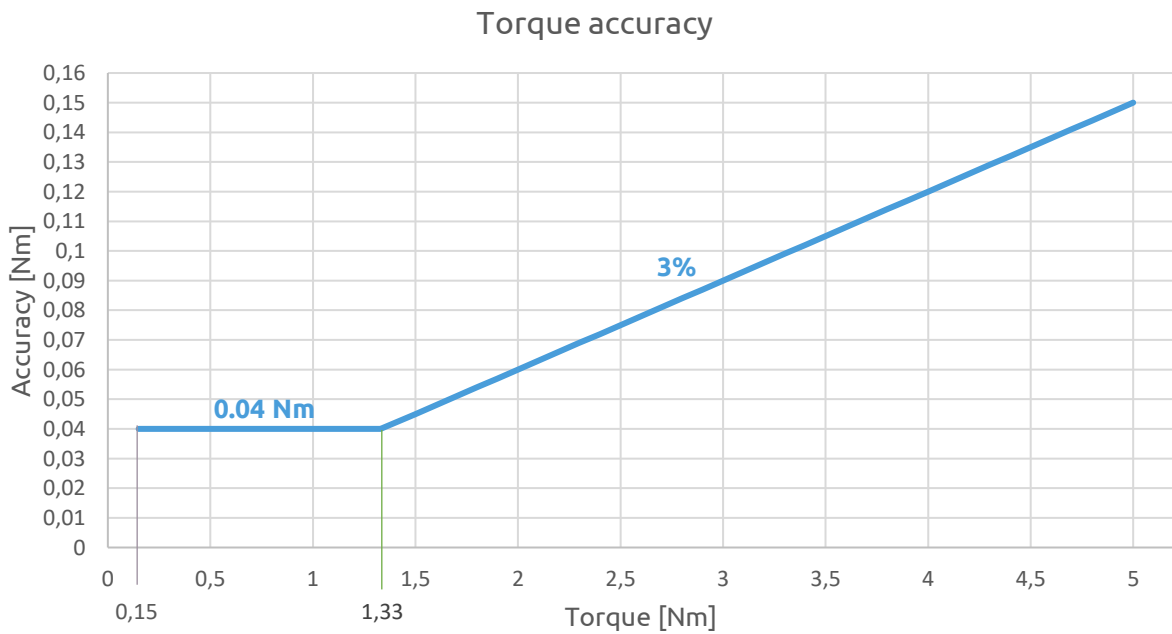
General Properties		Minimum	Typical	Maximum	Unit
Torque range		0.15 0.11	- -	5 3.68	[Nm] [lbft]
Torque accuracy*	If torque < 1.33 Nm/ 0.98 lbft	-	0.04 0.03	-	[Nm] [lbft]
	If torque > 1.33 Nm/ 0.98 lbft	-	3	-	[%]
Output speed		-	-	340	[RPM]
Screw length within full safety		-	-	35 1.37	[mm] [inch]
Shank stroke (screw axis)		-	-	55 2.16	[mm] [inch]
Shank preload (adjustable)		0	10	25	[N]
Safety feature force		35	40	45	[N]
Storage temperature		0 32	- -	60 140	[°C] [°F]
Motor (x2)		Integrated, electric BLDC			
IP Classification		IP54			
ESD Safe		Yes			
Dimensions		308x86x114 12.1x3.4x4.5			[mm] [inch]
Weight		2.5 5.51			[kg] [lb]

\* See [Torque accuracy graph](#) for further information.

Operating Conditions	Minimum	Typical	Maximum	Unit
Power supply	20	24	25	[V]
Current consumption	75	-	4500	[mA]
Operating temperature	5	-	50	[°C]
	41	-	122	[°F]
Relative humidity (non-condensing)	0	-	95	[%]
Calculated MTBF (operating life)	30.000	-	-	[Hours]

Supported Screws					
Material type	Magnetic				
Screw length	Up to 50 mm (35 mm thread length)				
Head type	Cylinder			Counter sunk	Button head
Appearance					
Standard	Din 912 / ISO 4762	ISO 14579	ISO 14580	ISO 14581	DIN 7985A
Supported Thread Size	M1.6	✓	N/A	N/A	N/A
	M2	✓	✓	N/A	✓
	M2.5	✓	✓	N/A	✓
	M3	✓	✓	✓	✓
	M4	✓	✓	✓	✓
	M5	✓	✓	✓	✓
	M6	✓	✓	✓	✓

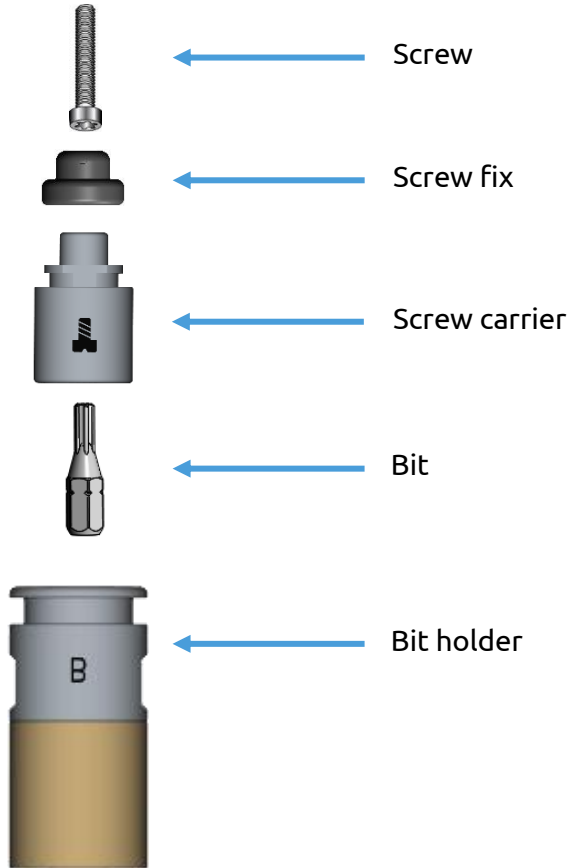
Torque accuracy graph



### Screw-bit system

This system will highly increase the efficacy of the screws to be picked up, aligned with the bit, moved around with the Screwdriver and screwed in/out. Therefore, it is highly recommended to set up the Screw-bit System correctly to keep a high success rate.

Example of the Screw-bit System for an ISO 14579 screw.



The sections below explain the different components of the Screw-bit System and how to set it up correctly.

Before that, on the next page, an overview of the items needed depending on the Screw type and size is shown.

Items needed depending on Screw type and size

Items needed depending on Screw type and size					
Head type	Cylinder			Counter sunk	Button head
Screw Standard	Din 912 / ISO 4762	ISO 14579	ISO 14580	ISO 14581	DIN 7985A
Thread Size	Bit holder, bit, crew carrier and screw fix needed				
M1.6	  	N/A	N/A	N/A	N/A
M2	   	   	N/A	  	  
M2.5	   	   	N/A	  	  
M3	   	   	   	  	  
M4	   	   	   	  	  
M5	   	   	   	  	  
M6	   	   	   	  	  

### 1. Screws

The first step is to know what type of screw is going to be used. The screw type will define what type of bit, screw carrier, screw fix (if any) and bit holder shall be used.

The recommended screw types for the Screwdriver are the ones that have the properties mentioned previously on the [Supported Screws table](#).

### 2. Bit holder


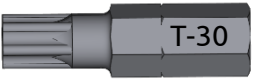
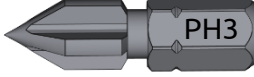
Select the right bit holder depending on the screw type and size to maximize the efficacy of the Screw-bit System based on the table on section [Items needed depending on Screw type and size](#)

The Bit holder generates a magnetic force that will keep the screw attached and aligned to the bit. The Bit holder **A** generates a higher magnetic force than **B**. Therefore, the bit holder B is commonly used for the smaller and lighter screws.

### 3. Bits

Select the right bit depending on the screw type and size to maximize the efficacy of the Screw-bit System based on the table on section [Items needed depending on Screw type and size](#)

The bits have signifiers to help identifying what bit type and size these are.

Screw type standard	Shows bit size and type
Din 912 / ISO 4762	
ISO 14579 ISO 14580 ISO 14581	
DIN 7985A	

Supported bit shank properties:

- Type 1/4" HEX
- Length 25 mm



**NOTE:**

Bits longer than 25 mm could be used. However, the screw carrier and the screw fix might not hold the screw properly in place.

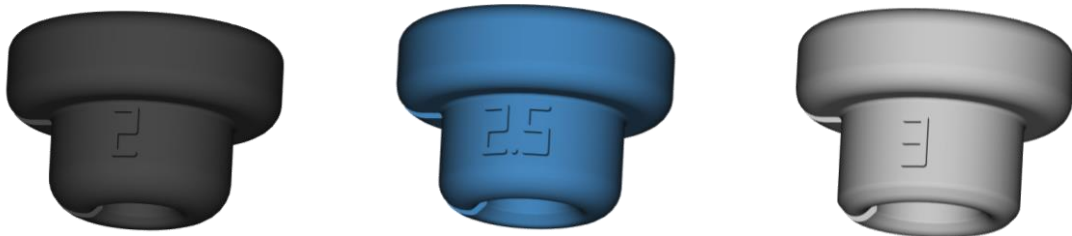
#### 4. Screw carrier and screw fix

Select the right screw carrier and screw fix depending on the screw type and t size to maximize the efficacy of the Screw-bit System based on the table on section [Items needed depending on Screw type and size](#)

The screw carriers have signifiers to help identifying what screw type and size these can be used with.

Screw thread size	Screw type illustration









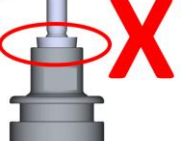
The screw fixes are only needed for the Din 912, ISO 4762, ISO 14579 and ISO 14580 screw types. The screw fixes also have signifiers to show what size of screw they support.



All screw carries must be adjusted to ensure a high performance of the Screw-bit System.







Appearance	Adjustment method

The screw carries must be adjusted so that the screw head seats stable on the screw carrier avoiding a gap in between. See the pictures below as reference.

Din 912 / ISO 4762 / ISO 14579 / ISO 14580 	ISO 14581 	DIN 7985A 
 	 	 

When this is achieved, remove the screw and push in the screw fix (only Din 912, ISO 4762, ISO 14579 and ISO 14580 screw types)

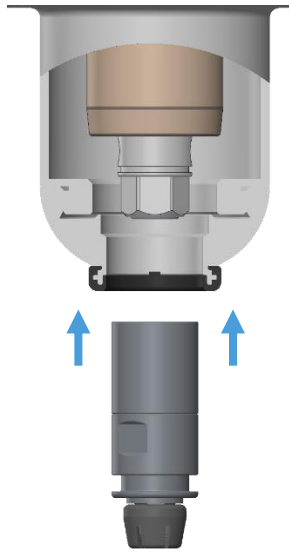
The final setup of the Screw-bit System with the screw in place should look like picture below.

Screw standard	Din 912 / ISO 4762 / ISO 14579 / ISO 14580 	ISO 14581 	DIN 7985A 
Screw-bit System appearance			



### 5. Attaching and detaching the Screw-bit System to/from the Screwdriver

The last step is to attach the system to the Screwdriver by placing the hex shape of the bit holder inside of the end of the screwdriver's shank as shown in the picture below. The system will be attached to the screwdriver by a magnetic force.



To remove the Bit holder from the screwdriver's shank, follow the bullets below:

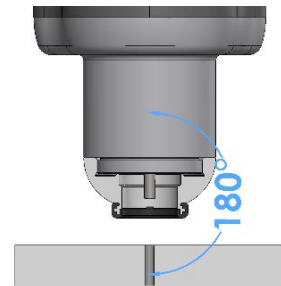
- 1. Move the shank all the way out to position 55 by operating the user interface in the robot or in the Web Client.
- 2. As shown in the images below, use the provided key to grab the Bit holder.
- 3. While holding the key, move the shank inwards by operating the user interface in the robot or in the Web Client.



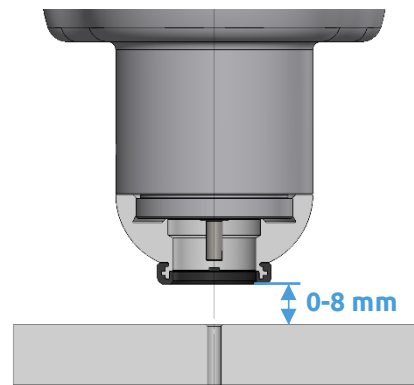
### Screwdriver position to execute commands

To successfully execute the screwdriver commands, it is fundamental to position the screwdriver correctly. This is achieved if the following two conditions are met:

1. The Screw-bit System must be perfectly aligned to the screw or thread.



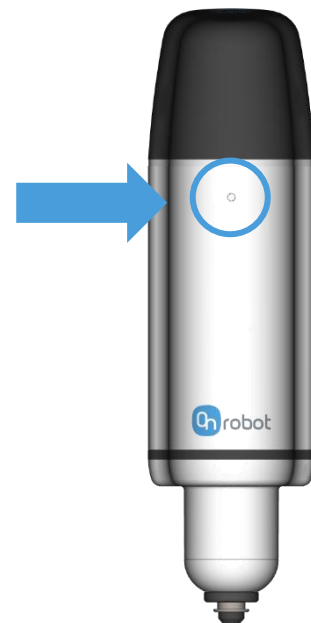
2. The distance between the Screwdriver's bottom part and the surface where the action takes place must be within the range of 0-8 mm.



### LED - Device status

The screwdriver has a LED that shows the device status.

Color	Device Status
○ No light	Power missing
● Steady green	Ready to work - Idle - Static
● Blinking green	Initializing
● Steady orange	Busy – Moving/rotating shank
● Blinking orange	Operational malfunction
● Steady red	Not working – Hardware problem
● Blinking red	Safety – Emergency stop



### Torque angle curve and torque gradient

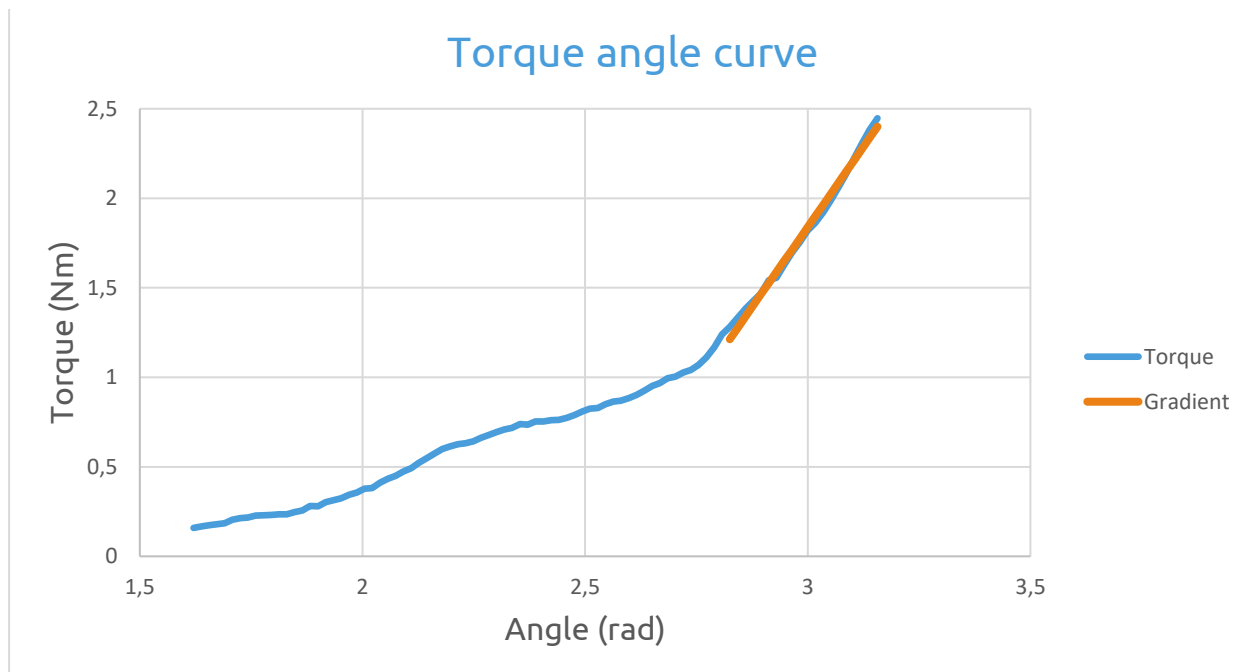
The torque gradient shows how the torque is applied in the last phase of the Tightening screw command. This could be used as an indicator to detect if a Tightening command is performed correctly.

For instance, the torque gradient could be different if:

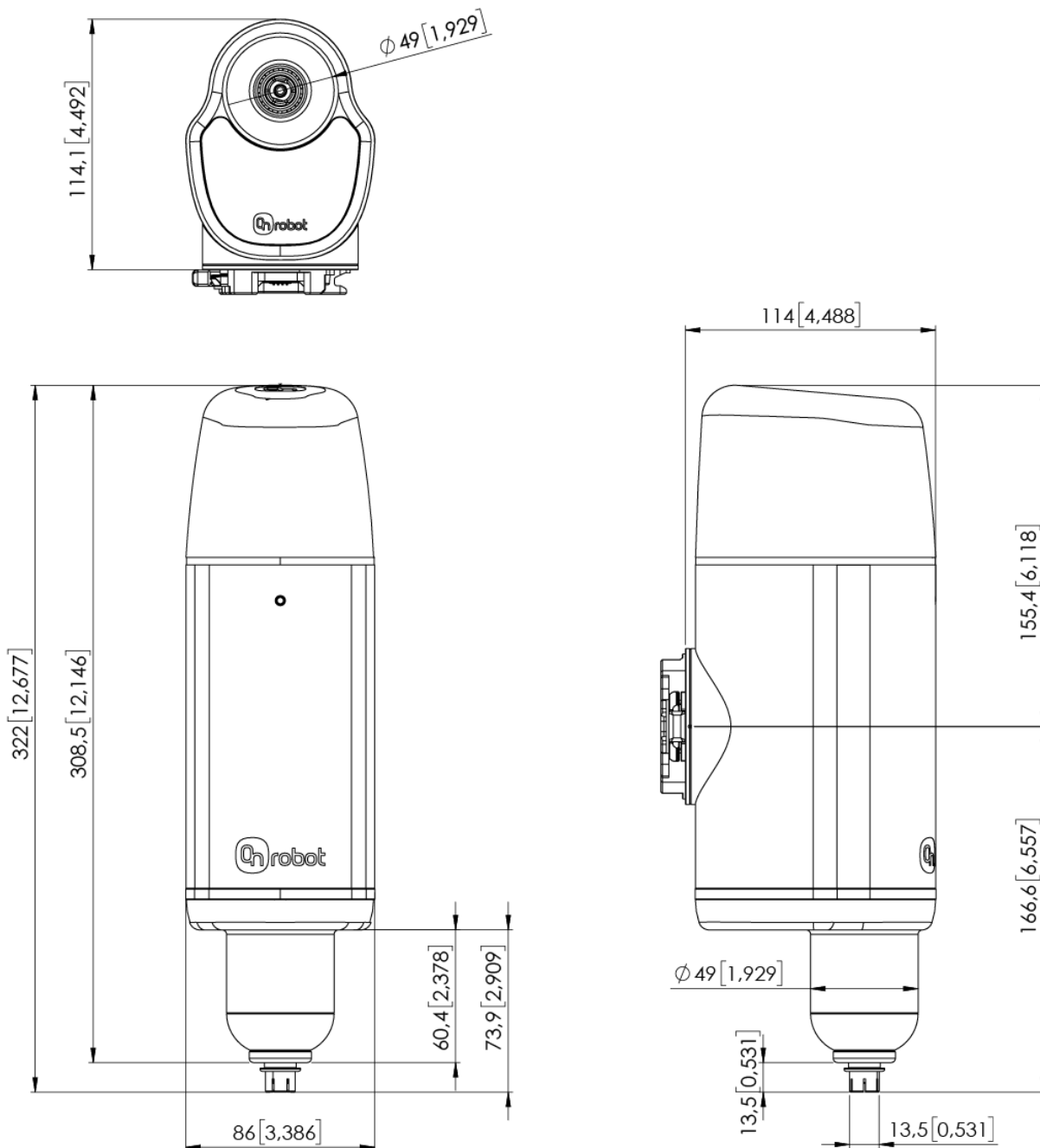
- The hole thread is not long enough
- The hole thread is different from the screw thread
- The hole thread is not clean (for instance by deburrs from CNC machining)
- The friction between the screw thread and the hole thread is too low or too high
- The friction between the screw head and the tighten part is too low or too high

A torque gradient variable is made available to be checked in the robot program.

The graph below shows a normal Torque/Angle curve. In this case has been made with a M4 screw and 2.4 Nm as target torque.



Screwdriver



All dimensions are in mm and [inches].

